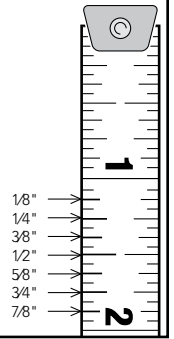


# Graber® Measuring Guide for Roman Shades

## Tools and Tips

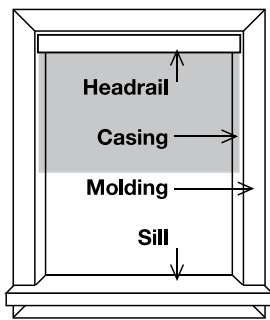
- Steel tape measure — do not use cloth tape
- Pencil
- Measure each window and identify window locations — size variances are common
- Round measurements to the nearest 1/8"
- Clearly record measurements — width vs. height



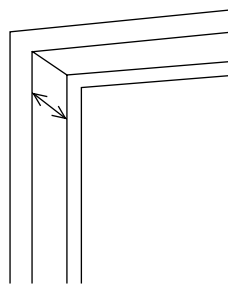
## Choose a Mount Type: Inside Mount or Outside Mount

(See next page if you need help deciding which mount is best for your windows.)

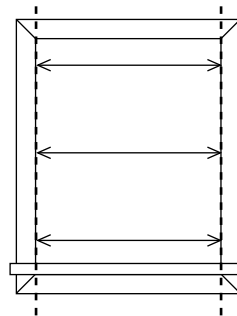
### Inside Mount Window treatments are installed inside the window casing.



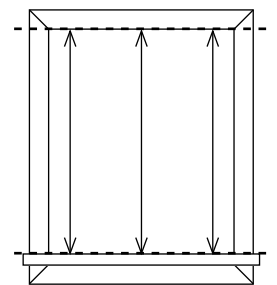
Inside Mount Blind



Depth



Width

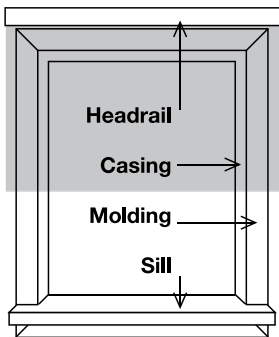


Height

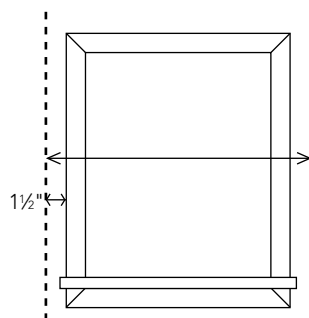
- 1 **Measure Depth:** See chart on next page to determine if window casing has enough depth for an inside-mount window treatment.
- 2 **Measure Width:** Measure the inside width of window casing in three places. Record narrowest measurement.
- 3 **Measure Height:** Measure the inside height from the top of window casing to top of sill in three places. Record longest measurement.

**Note:** Do not take any deductions for clearance. The manufacturer will take necessary deductions for a perfect fit.

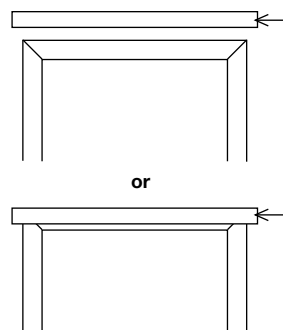
### Outside Mount Window treatments are installed outside the window casing. Mount directly to wall or molding.



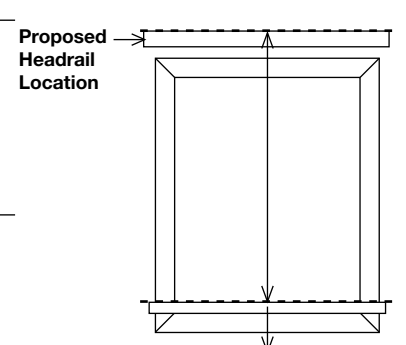
Outside Mount Blind



Width



Headrail Location



Height

- 1 **Measure Width:** Measure width to be covered. We recommend 1/2" overlap on each side of the window (3" total) for optimum light control and privacy. Record measurement.
- 2 **Determine Headrail Location** Determine if headrail will be on molding or above molding and mark spot.
- 3 **Measure Height:** Measure height to be covered from top of headrail location to top of sill or lower if overlap is desired for additional light control and privacy. Record measurement.

**Note:** The manufacturer makes **NO** deductions on outside-mount installations.

# Mounting Considerations

## Reason for Choosing Inside Mount

### Clean Look

- Inside-mount treatments are installed inside the window casing, showcasing attractive window trim.
- The window opening frames the treatment for a finished, clean appearance.

### Allows Sill Space on Deep Windows

- In some deep-set windows, the window treatment can be installed to allow plants or other items to be placed in front of the window treatment on the sill.

## Limitations of Inside Mount

### Light Gaps

- A small deduction in the width is taken at the manufacturer to allow for proper operating clearance, and this causes a small gap on each side of the treatment, affecting the treatment's ability to darken a room.

### Obstructed View

- The stack (compressed portion of the window treatment when fully raised) will obstruct a part of the view from the window.
- The amount of stack varies by product.

### Architectural Obstacles

- Obstacles such as handles and cranks can interfere with the operation of inside-mount treatments.

## Reason for Choosing Outside Mount

### Improve Privacy and Light Control

- Light gaps on the side of the window treatment can be substantially diminished or eliminated.

### Fewer Installation Limitations

- Outside-mount window treatments are ideal for covering non-square windows.
- Outside-mount window treatments are installed higher than the window opening for an unobstructed view when fully raised.

### Architectural Obstacles

- Outside-mount window treatments can clear obstacles like handles and cranks.

### Enlarge the Look of a Small Window

- Increase overlap above and below or to each side of the window.

### Hide Window Trim

- Outside-mount treatments provide can easily hide unattractive window trim.

## Limitations of Outside Mount

### Required Surface Above Window Frame

- Outside-mount brackets require at least 2" of flat surface above window or on window frame for mounting brackets. Projection brackets or shims can be ordered if needed to clear frame or molding.

## Inside Mount Window Casing Minimum Depth Requirements

- A. Flush Mount:** If the window casing is deep enough to mount the entire headrail and fabric inside of it, this is called a flush mount.
- B. Partially Recessed:** A partially recessed window treatment is when the depth of the window casing is less than the space necessary for a flush mount.



A. Depth needed for Flush Mount



B. Depth needed for Partially Recessed

Roman Shades	Control Type	Fabric Style		
Fresco® Roman	Standard Cord Lift	Teardrop Looped	3½"	¾"
		Classic Flat	1⅞"	
	Continuous-loop Lift	Teardrop Looped	3½"	
		Classic Flat	2⅞"	
	Bottom Up/Top Down	Teardrop Looped	3½"	
		Classic Flat	1⅞"	

Flush mount includes headrail and fabric and is approximate. This can vary by fabric. Please call Customer Service at 1-800-538-9419 for additional assistance.